

为 您 的 产 品 保 驾 护 航

PRODUCT DATASHEET


Blade Fuses

J0498 Blade Fuse Devices

Electrical Characteristics


% of Rating	Blowing Time	
	30A ~125A	150A~200A
75%	~	100h min
100%	100h min	~
110%	4h min	~
200%	3~100s	3~15s
300%	0.3~3s	~
350%	~	0.3~5s
500%	0.1~1s	~
600%	~	0.1~1s

Agency Approvals

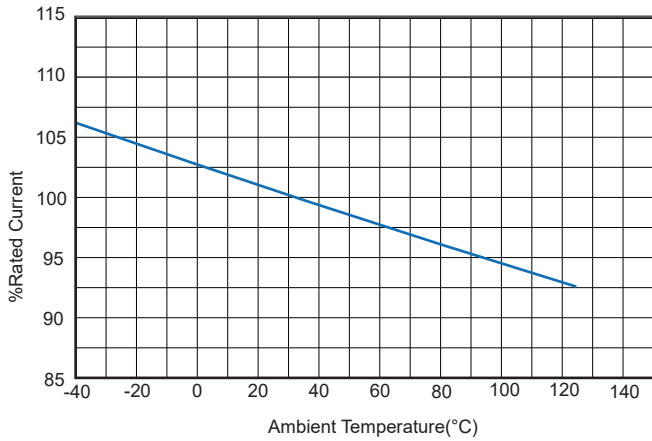
Agency	File Number
	E544180

Performance Specification

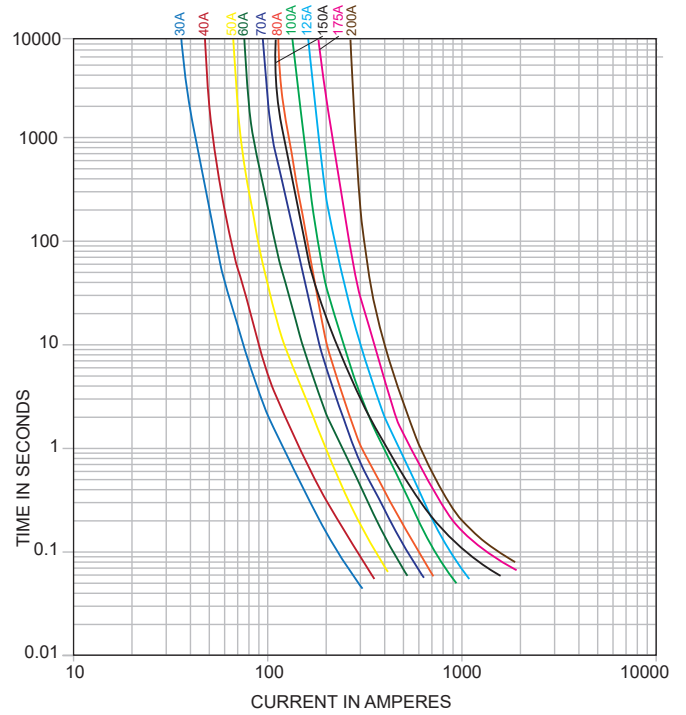
Model	Current Rating(A)	Voltage Rating(Vdc)	Interrupting Rating	I ² t (A ² s)	Max Voltage Drop(mV)	Recommend Torque N.m
J0498030	30	58	2500A @58VDC	4200	110	3.5-3.8
J0498040	40	58		10000	110	4.0-4.3
J0498050	50	58		13000	110	5-6
J0498060	60	58		21700	110	5-6
J0498070	70	58		24000	110	5-6
J0498080	80	58		24600	110	5-6
J0498100	100	58		50800	110	5-6
J0498125	125	58		69100	110	5-6
J0498150	150	58		81900	110	5-6
J0498175	175	58		99000	110	6-7
J0498200	200	58		126000	110	6-7

Environmental Characteristic

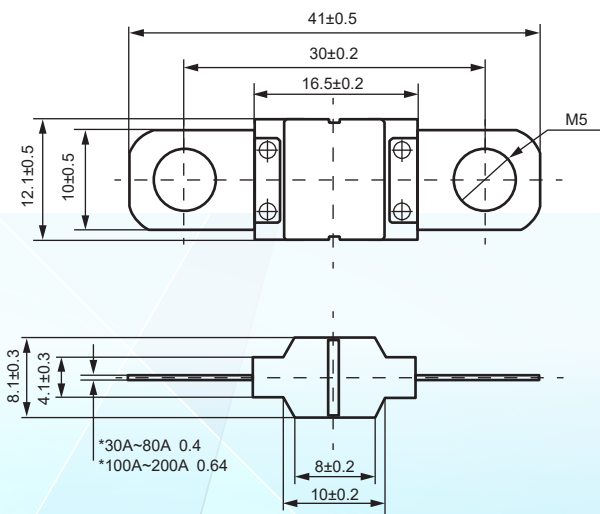
Temperature Derating Curve



Time-Current Characteristic Curves



Dimensions (mm)



Specification

Operating Temperature Range	Testing Standard
-40°C~+125°C	GB/T 31465.5. ISO 8820-5
Materials	
Pstic crust	Polyamide UL 94V-0
Metal Element	Copper alloy